

- Back**
- o Flat Cable Connectors SEK
 - o *har-mik®*
 - o D-Sub
 - o InduCom

- **Applications**

Product details

09 56 400 5601

High density cable connector

Gender	Male High Density
Termination	Crimp
Number of contacts	62
Flange	through hole 3.1 mm
Shell	tinned metal shell with dimples
Insulation material	PBTP
Contact configuration	contacts must be order separately
RoHS compliant	Yes

Inquiry

Available Downloads

Title	Format	
Data sheet	PDF	download
CAD data 2D	DXF	download

Product news

5

4

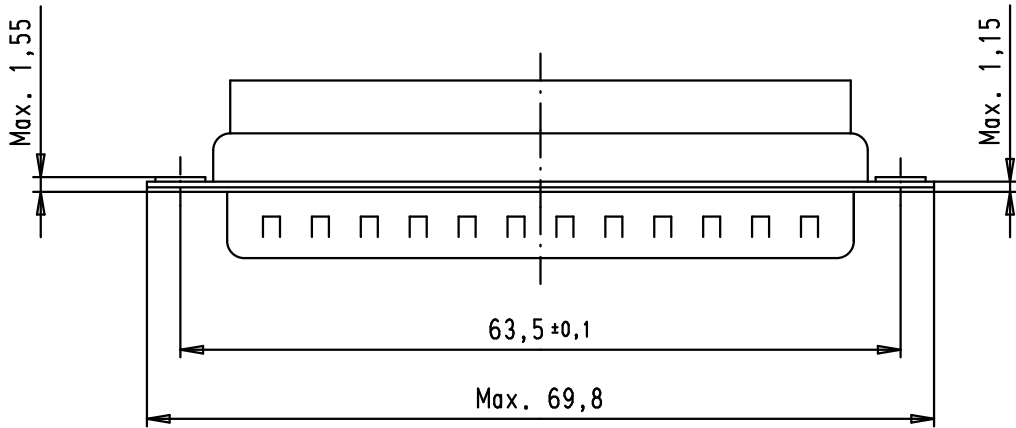
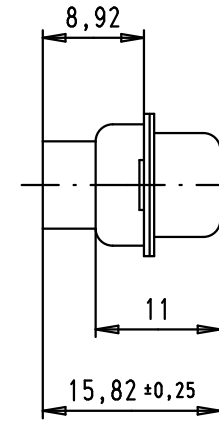
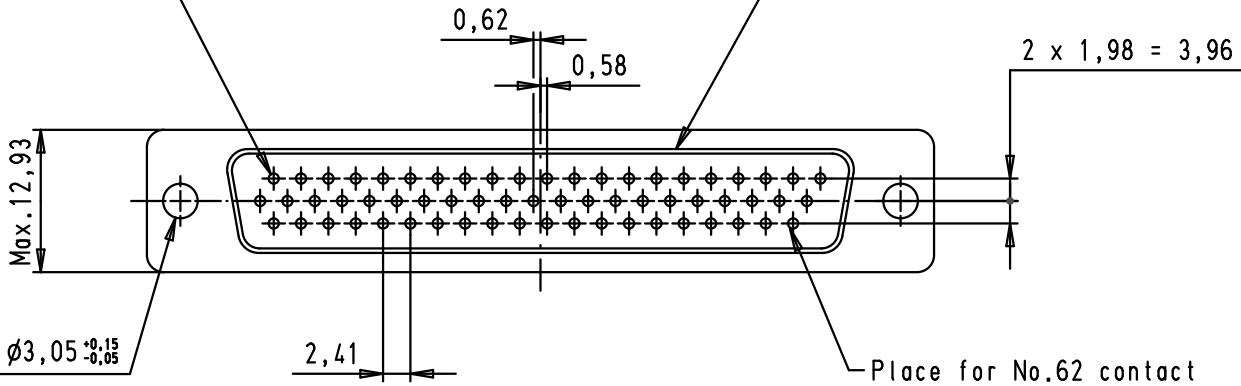
3

2

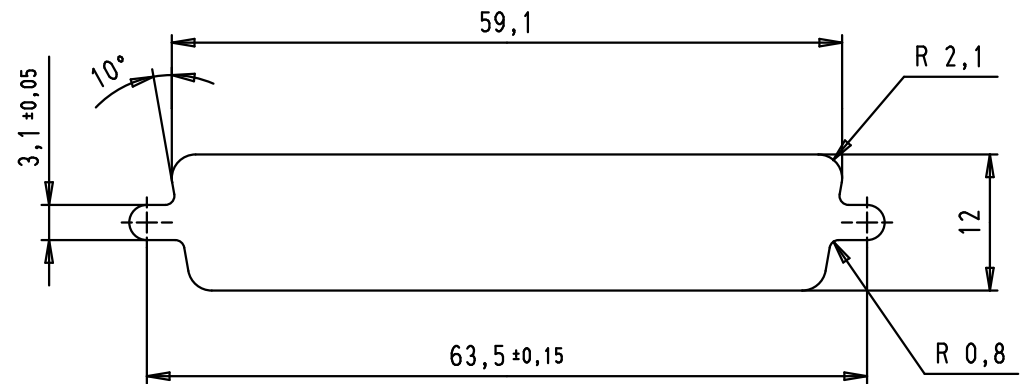
1

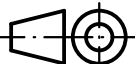

Place for No.1 contact

Mating face according to MIL-C-24308 / DIN 41 652 / CECC 75301-802



Panel cut out



				Det.	Name	 All Dim. in mm Orig. Size DIN A 4	D-Sub, high density, male, 62 poles, for crimp contacts	Maßstab/ Scale
			Detail.	16/09/02	CV			1,5:1
			Insp.					
			Stand.					
34618	17/10/07	PK	HARTING EURL F-95972 Paris				TB 09 56 400 5601	Blatt/ Page
33442	17/03/06	JMDR						1
31064	16/09/02	CV						1
Mod.	Det.	Name						Sub.

D

C

B

A